

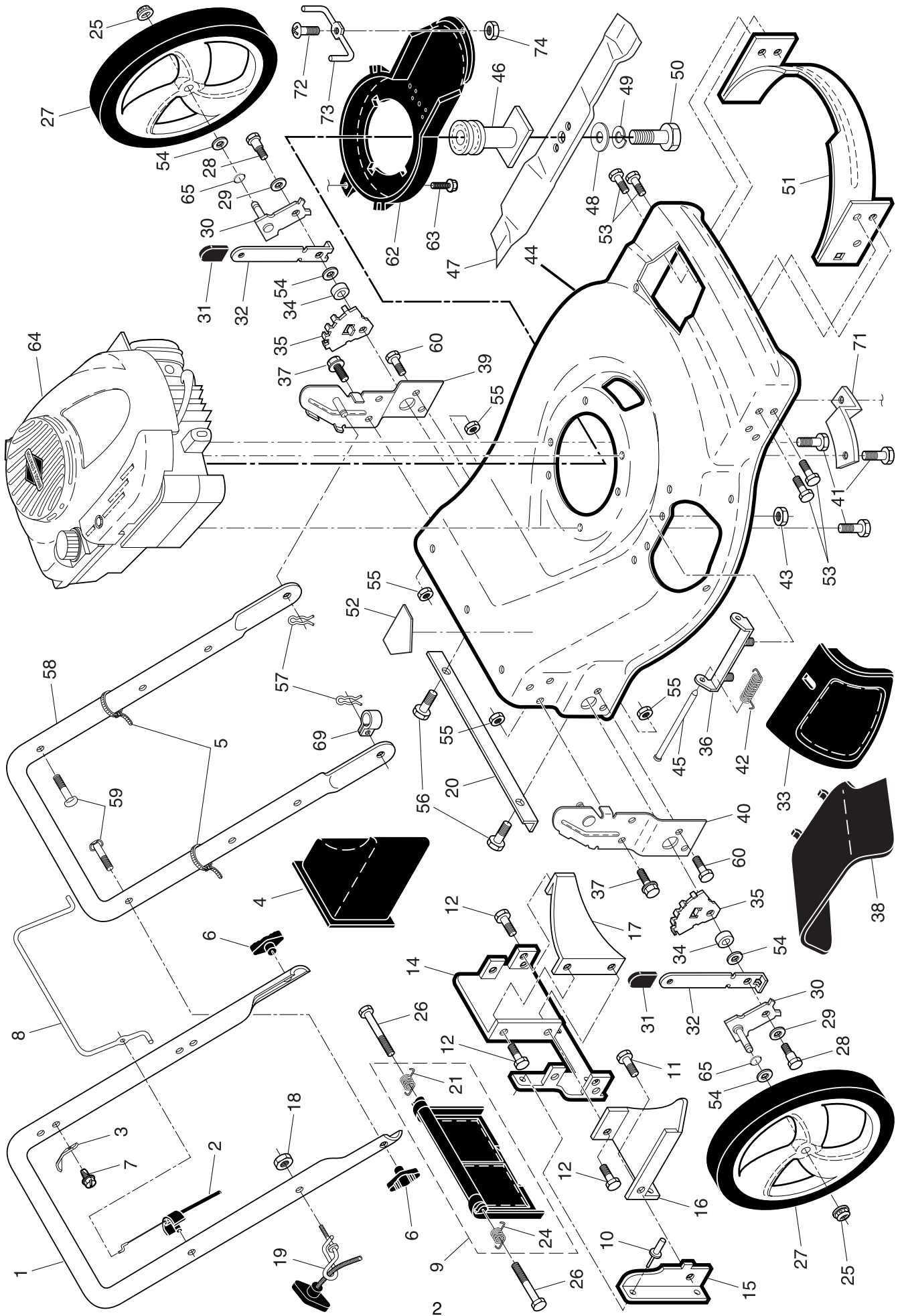
ILLUSTRATED PARTS LIST

MODEL NUMBER PM6556D

PRODUCT NUMBER 961 41 01-16

MFG. ID. NUMBER 96141011600

ROTARY LAWN MOWER - - MODEL NUMBER **PM6556D** (96141011600) PRODUCT NUMBER 961 41 01-16



ROTARY LAWN MOWER - - MODEL NUMBER **PM6556D** (96141011600) PRODUCT NUMBER 961 41 01-16

KEY NO.	PART NO.	DESCRIPTION	KEY NO.	PART NO.	DESCRIPTION
1	532 19 84-59	Upper Handle	40	532 19 71-51	Handle Bracket Assembly, RH
2	532 18 35-67	Engine Zone Control Cable	41	532 15 04-06	Screw, Hex Head, Threaded, Rolled 3/8-16 x 1-1/8
3	532 12 51-62	Bracket, Upstop	42	532 19 30-00	Spring, Torsion
4	532 16 66-49	Mulcher Plug	43	873 80 04-00	Nut, Hex, Nylock
5	532 06 64-26	Wire Tie	44	532 40 21-62	Kit, Lawn Mower Housing (Includes Key Numbers 14, 15 and 51)
6	532 19 19-38	Handle Knob	45	532 17 56-50	Rod, Hinge
7	532 75 06-34	Screw	46	532 19 93-79	Blade Adapter / Pulley
8	532 19 84-64	Control Bar	47	532 14 11-14	Blade, 22"
9	532 19 36-79	Rear Door Assembly (Includes Springs)	48	532 85 10-74	Washer, Hardened
10	532 12 84-15	Pop Rivet	49	532 85 02-63	Washer, Helical
11	532 15 00-50	Screw, Self-Tapping #10-24 x 5/8	50	532 85 10-84	Screw, Machine, Hex Head 3/8-24 x 1-3/8 Grade 8
12	532 05 45-83	Screw, Hex Hex Head, Sems 1/4-20 x 1/2	51	532 17 04-91	Front Baffle
14	532 19 84-65	Back Plate	52	532 18 21-66	Danger Decal
15	532 13 88-60	Side Baffle	53	817 60 04-06	Screw
16	532 17 71-33	Discharge Baffle	54	532 08 83-48	Washer
17	532 14 89-41	Rear Baffle	55	532 75 15-92	Locknut, Hex 3/8-16
18	532 13 20-04	Keps Locknut 1/4-20	56	532 14 66-94	Screw 1/4-20
19	532 19 47-88	Rope Guide	57	532 05 17-93	Hairpin Cotter
20	532 14 76-25	Footguard	58	532 15 50-44	Lower Handle
21	532 17 09-38	Spring, Rear Door, LH	59	532 19 15-74	Handle Bolt
24	532 17 09-39	Spring, Rear Door, RH	60	874 76 06-12	Bolt
25	532 14 52-12	Nut, Hex, Flanged	62	532 19 93-14	Debris Shield
26	532 18 41-93	Bolt, Rear Door	63	532 19 23-25	Screw, Debris Shield
27	532 40 25-95	Wheel & Tire Assembly, Rear, 12"	64	- - -	Engine, Briggs & Stratton, Model Number 124K02 (Order parts from Engine manufacturer)
28	532 14 27-48	Bolt, Shoulder 3/8-16 x 1			O-Ring
29	532 06 16-51	Washer, Belleville	65	532 19 74-80	Clip, Cable
30	532 19 60-21	Axle Arm Assembly	69	532 19 79-91	Mounting Bracket, Debris Shield
31	532 19 00-69	Selector Knob	71	532 19 09-39	Screw, Machine #8
32	532 19 84-56	Selector Spring	72	532 18 22-27	Belt Keeper
33	532 19 60-53	Mulcher Door	73	532 19 71-62	Nut, Hex #8
34	532 14 66-30	Spacer	74	532 18 22-28	Warning Decal (not shown)
35	532 15 50-47	Wheel Adjusting Bracket	- -	532 18 21-91	Operator's Manual, European
36	532 17 57-35	Hinge Bracket Assembly	- -	532 40 29-63	Operator's Manual, Scandinavian
37	532 15 00-78	Screw, Sems, Thread Cutting 5/16-18 x 3/4	- -	532 40 29-66	Operator's Manual, East Bloc
38	532 40 30-73	Discharge Deflector	- -	532 40 29-65	Operator's Manual, Baltic
39	532 19 71-50	Handle Bracket Assembly, LH	- -	532 40 29-64	

NOTE: All component dimensions given in U.S. inches. 1 inch = 25.4 mm

IMPORTANT: Use only Original Equipment Manufacturer (O.E.M.) replacement parts. Failure to do so could be hazardous, damage your lawn mower and void your warranty.

ROTARY LAWN MOWER - - MODEL NUMBER PM6556D (96141011600) PRODUCT NUMBER 961 41 01-16

KEY PART NO.	DESCRIPTION	KEY PART NO.	DESCRIPTION
1	532 19 34-80	40	532 19 28-49
2	532 19 10-39	41	532 19 51-07
3	532 17 52-62	54	532 40 21-63
4	532 18 56-81	55	532 08 60-12
5	532 19 68-57	57	532 18 96-80
6	532 19 84-53	61	532 19 68-86
7	532 19 17-30	62	532 19 70-57
9	532 08 39-23	63	532 18 35-08
11	532 40 25-67	64	532 18 35-11
12	812 00 00-58	65	532 18 35-09
13	532 75 00-03	66	532 18 35-14
14	532 18 94-03	67	532 18 35-06
15	532 19 10-17	68	532 18 34-99
16	532 06 77-25	69	532 19 68-84
18	532 70 10-37	70	532 18 35-05
23	532 08 86-52	71	532 19 68-83
25	532 19 73-86	72	532 19 68-82
26	532 19 23-25	73	532 18 35-13
28	532 19 60-56	74	532 19 68-81
32	532 19 40-18	75	532 19 68-80
35	532 19 51-10	76	532 19 68-79
36	532 19 16-36	77	532 19 68-78
38	873 80 04-00	78	532 19 68-77
		79	532 18 35-02

NOTE: All component dimensions given in U.S. inches. 1 inch = 25.4 mm

IMPORTANT: Use only Original Equipment Manufacturer (O.E.M.) replacement parts. Failure to do so could be hazardous, damage your lawn mower and void your warranty.